

Pinnacle Bi-fold Patio Door



Bi-fold doors may vary slightly in appearance and features.

Features and Benefits

- Multi-point locking system on passage panels features three-point jamb-engaged tongue system for uncompromised security
- Centor Architectural E3 bi-fold hardware system provides stability and smooth operation
- Lever handle activated head and sill twin bolt system for added security
- Wept sill system to eliminate water infiltration
- Dual weatherstrips at panel edge improve air and thermal performance
- Foam-backed glazing bead minimizes paint and stain bleeding
- Stiles constructed of an LVL core material for added strength and stability
- Panel exterior matches Pinnacle product line with consistent depth from glass to face of the panel for a clean, complementary appearance
- Panels available in traditional French or contemporary narrow stile

Sizes

- Five standard heights: 6'8", 6'10", 8'0", 9'0" and 10'0" (9'0" and 10'0" doors available in French panels only)
- Can be assembled with as few as two panels, and up to eight panels wide
- Custom sizes available

*1" profile inner grille not available on 10'0" tall doors.

Glazing

- Windsor Glazing System provides 3/4" double pane insulated glass; Cardinal® LoE 366 glass standard
- Interior stop glazed with silicone sealant
- Custom and special glass types available

Grilles

Windsor Divided Lite (WDL) = simulated divided lite

- 7/8" and 1-1/4" Perimeter Grille (*NOT available on radius doors*)
- 7/8" and 1-1/4" Stick Grille (*Radius swing doors only*)
- 3-4" and 1" Profiled Inner Grille
- 13/16" Flat Inner Grille
- 7/8" and 1-1/4" Ogee WDL
- 5/8", 7/8", 1-1/4" and 2" Short Putty WDL
- 5/8", 7/8", 1-1/4" and 2" Short Contemporary WDL
- 3-3/8" Simulated Mid Rail
- Standard and custom grille patterns available

Weatherstripping

- Two weatherstrip barriers between each panel and between panels and frame; urethane foam encased in polyethylene film around entire frame; pile weatherstripping along head and sill provide added protection

Finishes

- Interior – Available in Clear Select Pine, Douglas Fir or Natural Alder
 - Primed: white or black
 - Painted: white, black or gray
 - Stained: 9 color options
- Exterior – Heavy-duty extruded aluminum cladding

Clad Colors

All clad colors painted in-house with the highly durable AAMA 2604 standard finish, or upgrade to AAMA 2605 for the most challenging of environments

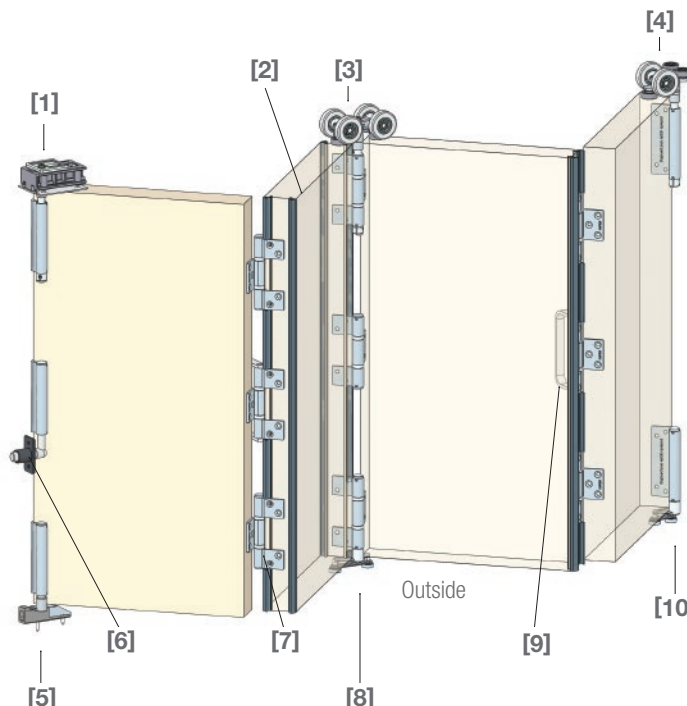
- 23 Standard Clad Colors available in 2604 and 2605 finish
- 20 Feature Clad Colors available in 2604 and 2605 finish (Custom color matching is also available)
- 7 Matte Clad Colors available in the 2604 finish only
- 8 anodized finishes

Hardware

Classic or contemporary handle available in satin nickel, brass and oil rubbed bronze

Performance Ratings

For current performance ratings, visit our website at windsorwindows.com and click on "Professional Information" in the menu bar



BI-FOLD DOOR TERMINOLOGY

- [1] Top pivot
- [2] Weatherseal
- [3] Intermediate carrier
- [4] End carrier
- [5] Concealed bottom pivot
- [6] Wall pivot
- [7] Hinge
- [8] Concealed intermediate guide
- [9] Hinge with handle
- [10] Concealed end guide